

BUTTERFLY CHECK VALVE

Configuration of butterfly check valve combines the advantages of a tight shut off butterfly valve with the non slam check valve. Compact design, easy installation and low maintenance costs.

The butterfly check valve is used in water supply and drainage pipeline. This valve is mounted at the outlet of pump to cut off back flow of fluid. Conforming to BS 5155 standard.



FEATURES

- Metal seat and resilient seat can be provided.
- Replaceable seat.
- Disc construction giving minimal pressure drop.
- Non slam closing.
- Seating with double eccentric tight shut off.
- Noise eliminate.
- Available with weight arm and weight.
- Through shaft and stub shaft.
- Vertical and horizontal position.
- Dashpot is optional.

DESIGN SPECIFICATIONS

- Size: 100 mm to 2000 mm.
- Working Pressure: 6, 10, 16, 25 Bar.
- Temperature: Up to 100°C or 250°F.
- Application fluid: water, sea water, oil, sewage.
- Shell test: 1.5xPN.
- Seat test: 1.0xPN.
- All international flange connections and coating are available

www.scivalve.com

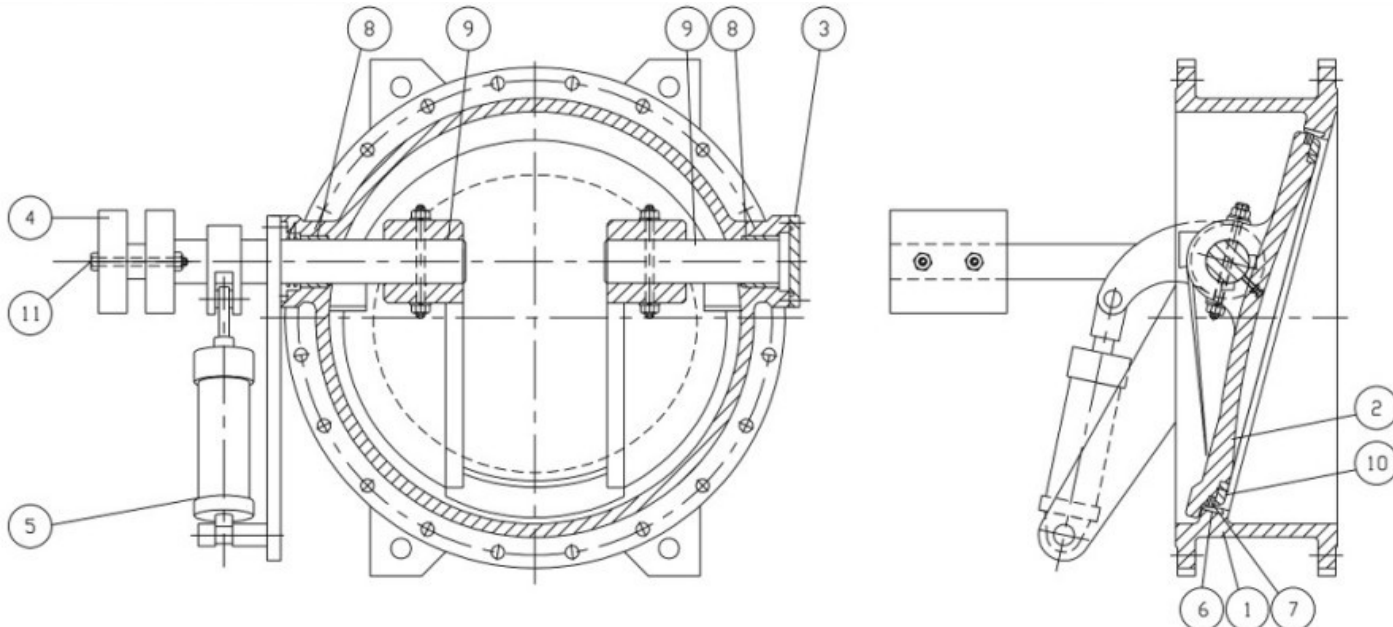


SCI CORPORATION Co.,Ltd.

Factory: 1/12 Moo 2, Samutsakorn Industrial Estate, Soi 7,
Rama 2 Road, Tahsai, Muang, Samutsakorn 74000, Thailand
Tel: (6634)440-130 Fax: (6634)440-137 E-mail: sci@scivalve.com



Materials

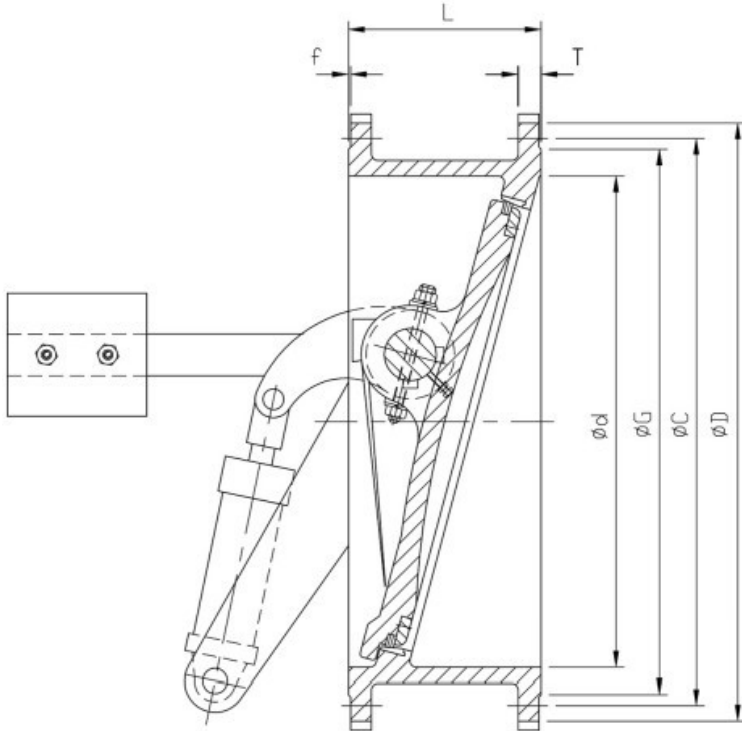


No.	PARTS	MATERIALS	BS. SPEC.	ASTM. SPEC.	TIS. SPEC.
1	Body	Cast Iron	EN 1561-EN-GJS-250	A 126 Class B	TIS. 536
		Ductile Iron	EN 1536-EN-GJS-500-7	A 536 Grade 65-45-12	TIS. 537(SGI 500)
2	Disc	Cast Iron	EN 1561-EN-GJS-250	A 126 Class B	TIS. 536
		Ductile Iron	EN 1536-EN-GJS-500-7	A 536 Grade 65-45-12	TIS. 537(SGI 500)
3	End Plate	Cast Iron	EN 1561-EN-GJS-250	A 126 Class B	TIS. 536
4	Weight	Cast Iron	EN 1561-EN-GJS-250	A 126 Class B	TIS. 536
5	Dash Pot	-	-	-	-
6	Body Seat Ring	Stainless Steel	EN Grade 1. 4301,4401	A 276 Type 304,316	-
		Stainless Steel Welded Overlay			
		Bronze/Gunmetal	EN1982-CC491K	B 62	-
7	Disc Seat Ring	Stainless Steel	Gr 1. 4301,4401	A 276 Type 304,316	-
		Stainless Steel	SS304/SS316/SS410 Laminated metal+graphited		
		Bronze/Gunmetal	EN1982-CC491K	B 62	-
8	Bushing	Self Lubricated	-	-	-
9	Hinge Pin	Stainless Steel	EN Grade 1.4301,1.4401, 1.4404,1.4057,1.4021	A 276 Type 304, 316,316L,431,420	-
10	Seat Holder	Ductile Iron	EN 1536-EN-GJS-500-7	A 536 Grade 65-45-12	TIS. 537(SGI 500)
11	Bolt & Nut	Galvanized Steel	4190	A 307 Grade B	-
		Stainless Steel	Gr 1. 4301,4401	A 276 Type 304,316	

www.scivalve.com

Dimensions

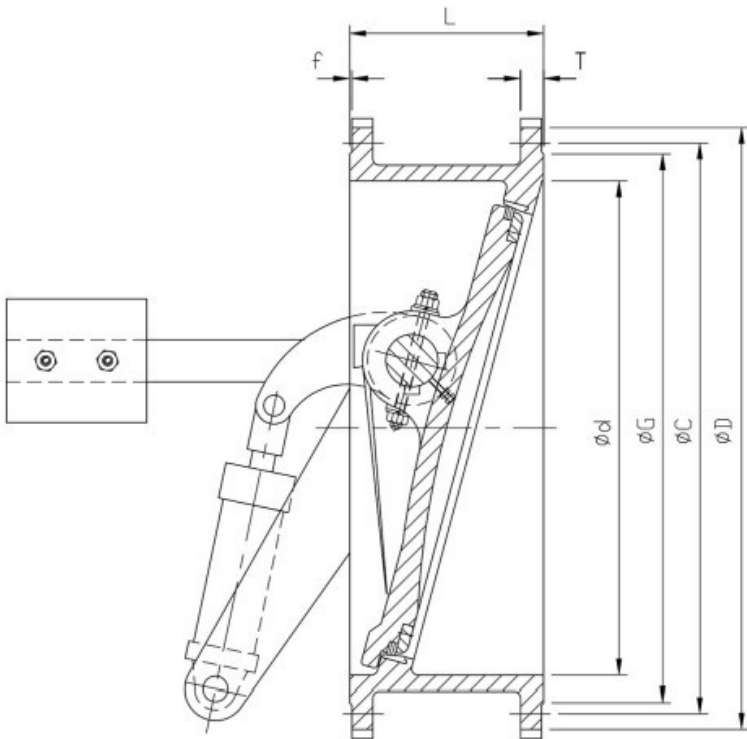
ANSI B16.5 CLASS 150,300



SIZE		FLANGED ANSI B16.5 CLASS 150 (INCH)								FLANGED ANSI B16.5 CLASS 300 (INCH)						
mm	inch	L	ØD	ØC	ØG	Øh	n	T	f	ØD	ØC	ØG	Øh	n	T	f
50	2	150	6	4.75	3.62	0.75	4	0.62	1/16	6.50	5.00	3.62	0.75	8	0.88	1/16
80	3	180	7.5	6	5	0.75	4	0.75	1/16	8.25	6.62	5	0.88	8	1.12	1/16
100	4	190	9	7.5	6.19	0.75	8	0.94	1/16	10	7.88	6.19	0.88	8	1.25	1/16
150	6	210	11	9.5	8.5	0.88	8	1	1/16	12.50	10.62	8.5	0.88	12	1.44	1/16
200	8	230	13.5	11.75	10.62	0.88	8	1.12	1/16	15	13	10.62	1	12	1.62	1/16
250	10	250	16	14.25	12.75	1	12	1.19	1/16	17.5	15.25	12.75	1.12	16	1.88	1/16
300	12	270	19	17	15	1	12	1.25	1/16	20.50	17.75	15	1.25	16	2	1/16
350	14	290	21	18.76	16.25	1 1/8	12	1.38	1/16	23	20.25	16.25	1.25	20	2.12	1/16
400	16	310	23.5	21.25	18.50	1.12	16	1.44	1/16	25.50	22.50	18.50	1.38	20	2.25	1/16
450	18	330	25	22.75	21	1.25	16	1.56	1/16	28	24.75	21	1.38	24	2.38	1/16
500	20	350	27.5	25	23	1.25	20	1.69	1/16	30.50	27	23	1.38	24	2.5	1/16
600	24	390	32	29.5	27.25	1.38	20	1.88	1/16	36	32	27.25	1.62	24	2.75	1/16
700	28	430	36.5	34	31.25	1.38	28	2.06	1/16							
750	30	450	38.75	36	33.75	1.38	28	2.12	1/16							
800	32	470	41.75	38.5	35.75	1.62	28	2.25	1/16							
900	36	510	46	42.75	40.25	1.62	32	2.38	1/16							
1000	42	550	53	49.5	47	1.62	36	2.62	1/16							

Dimensions

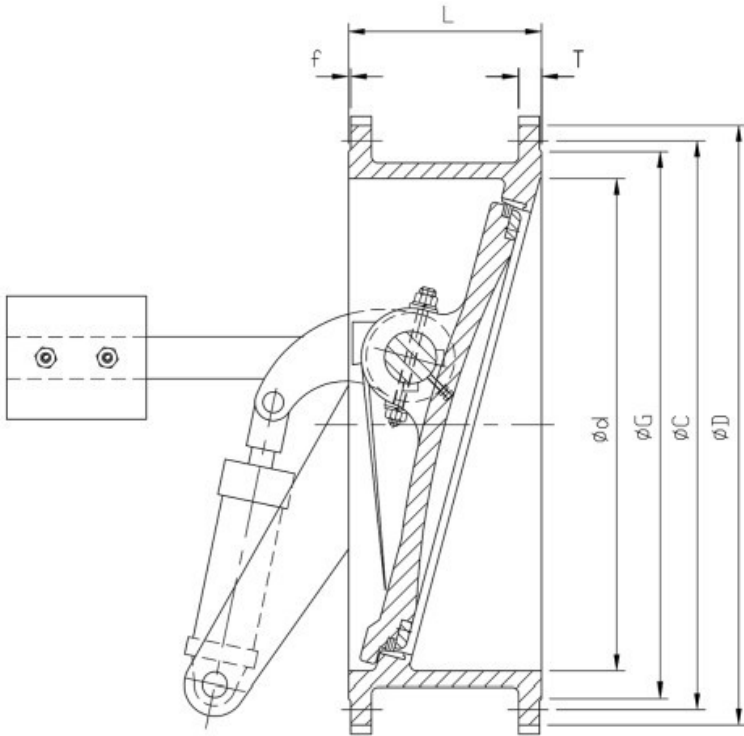
BS EN1092-2 PN10,16 (CAST IRON)



SIZE	L	FLANGED BS. EN1092-2 PN10 cast iron							FLANGED BS EN 1092-2 PN 16 cast iron						
		ØD	ØC	ØG	Øh	n	T	f	ØD	ØC	ØG	Øh	n	T	f
50	150	165	125	99	19	4	20	3	165	125	99	19	4	20	3
80	180	200	160	132	19	8	22	3	200	160	132	19	8	22	3
100	190	220	180	156	19	8	24	3	220	180	156	19	8	24	3
150	210	285	240	211	23	8	26	3	285	240	211	23	8	26	3
200	230	340	295	266	23	8	26	3	340	295	266	23	12	30	3
250	250	395	350	319	23	12	28	3	405	355	319	28	12	32	3
300	270	445	400	370	23	12	28	4	460	410	370	28	12	32	4
350	290	505	460	429	23	16	30	4	520	470	429	28	16	36	4
400	310	565	515	480	28	16	32	4	580	525	480	31	16	38	4
450	330	615	565	530	28	20	32	4	640	585	548	31	20	40	4
500	350	670	620	582	28	20	34	4	715	650	609	34	20	42	4
600	390	780	725	682	31	20	36	5	840	770	720	37	20	48	5
700	430	895	840	794	31	24	40	5	910	840	794	37	24	54	5
800	470	1015	950	901	34	24	44	5	1025	950	901	41	24	58	5
1000	550	1230	1160	1112	37	28	50	5	1255	1170	1112	44	28	66	5
1200	630	1455	1380	1328	41	32	56	5							
1400	710	1675	1590	1530	44	36	62	5							
1500	750	1785	1700	1640	44	36	65	5							
1600	790	1915	1820	1750	50	40	68	5							
1800	870	2115	2020	1950	50	44	70	5							
2000	950	2325	2230	2150	50	48	74	5							

Dimensions

BS EN1092-2 PN10,16 (DUCTILE IRON)



SIZE	FLANGED BS. EN1092-2 PN10 ductile iron								FLANGED BS EN 1092-2 PN 16 ductile iron							
Ød	L	ØD	ØC	ØG	Øh	n	T	f	ØD	ØC	ØG	Øh	n	T	f	
50	150	165	125	99	19	4	19	3	165	125	99	19	4	19	3	
80	180	200	160	132	19	8	19	3	200	160	132	19	8	19	3	
100	190	220	180	156	19	8	19	3	220	180	156	19	8	19	3	
150	210	285	240	211	23	8	19	3	285	240	211	23	8	19	3	
200	230	340	295	266	23	8	20	3	340	295	266	23	12	20	3	
250	250	400	350	319	23	12	22	3	400	355	319	28	12	22	3	
300	270	455	400	370	23	12	24.5	4	455	410	370	28	12	24.5	4	
350	290	505	460	429	23	16	24.5	4	520	470	429	28	16	26.5	4	
400	310	565	515	480	28	16	24.5	4	580	525	480	31	16	28	4	
450	330	615	565	530	28	20	25.5	4	640	585	548	31	20	30	4	
500	350	670	620	582	28	20	26.5	4	715	650	609	34	20	31.5	4	
600	390	780	725	682	31	20	30	5	840	770	720	37	20	36	5	
700	430	895	840	794	31	24	33	5	910	840	794	37	24	39.5	5	
800	470	1015	950	901	34	24	35	5	1025	950	901	41	24	43	5	
1000	550	1230	1160	1112	37	28	40	5	1255	1170	1112	44	28	50	5	
1200	630	1455	1380	1328	41	32	45	5	1485	1390	1328	50	32	57	5	
1400	710	1675	1590	1530	44	36	46	5	1685	1590	1530	50	36	60	5	
1500	750	1785	1700	1640	44	36	47.5	5	1820	1710	1640	57	36	62.5	5	
1600	790	1915	1820	1750	50	40	49	5	1930	1820	1750	57	40	65	5	
1800	870	2115	2020	1950	50	44	52	5	2130	2020	1950	57	44	70	5	
2000	950	2325	2230	2150	50	48	55	5	2345	2230	2150	62	48	75	5	

