

CAST CARBON STEEL GLOBE VALVE

Features

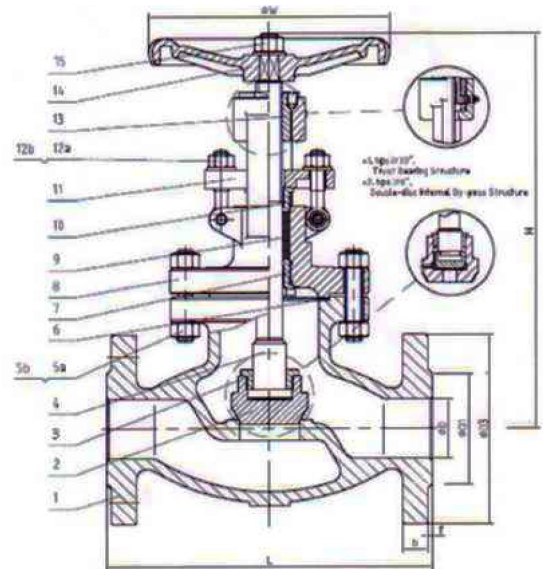
- Valve complied with Class 300
- Suitable for water, oil and gas API 600
- Max. working temperature 400°C
- Working pressure 55 bar.

Sizes

- DN 50mm
- DN 80mm
- DN 100mm
- DN 150mm
- DN 200mm
- DN 250mm

Materials List

No	Part	Materials	Standard
1	Body	Carbon Steel	A216 WCB
2	Disc	Carbon Steel	A105+13Cr
3	Disc Nut	Carbon Steel	ASTM A105
4	Stem	Carbon Steel	A182 F6a
5a	Bolt	Carbon Steel	A193 B7
5b	Nut	Carbon Steel	A194 2H
6	Gasket	Graphite+SS	Graphite+SS
7	Backing Seat	Carbon Steel	A276 410
8	Bonnet	Carbon Steel	A216 WCB
9	Packing	Graphite	Graphite
10	Gland	Carbon Steel	A276 410
11	Gland Flange	Carbon Steel	A216 WCB
12a	Eyebolt	Carbon Steel	A193 B7
12b	Nut	Carbon Steel	A194 2H
13	Stem Nut	Carbon Steel	Copper Alloy
14	Handwheel	Malleable	Malleable Iron
15	Locked Nut	C.S	C.S



NPS	DN	D	D1	D3	b	f	L
2"	50	51	92	150	16	2.0	203
3"	80	76	127	190.5	19	2.0	241
4"	100	102	157	230	24	2.0	292
6"	150	152	216	280	25.4	2.0	406
8"	200	203	270	345	28.5	2.0	495
10"	250	254	324	405	30.2	2.0	622