

## RESILIENT WEDGE GATE VALVE

Valves are manufactured and tested in accordance with BS5150, PN10, straight through bore type non rising stem and rising stem OS&Y and the wedge is replaceable without taking the valve out from the pipeline, suitable for all types of water and air.

### SIZE

50 mm - 400 mm



Fig.180



Fig.185

### FEATURES

- Vulcanized encapsulated resilient wedge ,bubble tight shut-off ,low head loss and suitable for use as a throttling valve.
- Valve ends can be flanges ,screwed ,ringtite(socket), spigot ,grooved and shoulder.
- Flanged drilling to suit ANSI B16.1 ,BS10 ,BS EN 1092-2,BS 4772 ,ISO ,AS 2129 ,DIN ,JIS and etc.
- Various types of operators such as handwheel chainwheel ,spur gear , bevel gear ,pneumatic , hydraulic and electric actuator can be provided upon requested.
- Special accessories like by-pass unit , valve locking device ,tapped bosses ,pipe cover ,indicator and limit switches are also available.

### VALVE FIGURES NO.

Fig. 180 Non Rising Stem, with Handwheel or Chainwheel or Cap or Operating Nut or Actuator.

Fig. 183 Non Rising Stem, with Gear and Handwheel or Chainwheel or Cap or Operating Nut or Actuator.

Fig. 185 Rising Stem OS&Y, with Handwheel or Chainwheel or Actuator.

Fig. 186 Rising Stem, with Gear and Handwheel or Chainwheel or Cap or Operating Nut or Actuator.

[www.scivalve.com](http://www.scivalve.com)



SCI CORPORATION Co.,Ltd.  
 Factory: 1/12 Moo 2, Samutsakorn Industrial Estate, Soi 7,  
 Rama 2 Road, Tahsai, Muang, Samutsakorn 74000, Thailand  
 Tel: (6634)440-130 Fax: (6634)440-137 E-mail: sci@scivalve.com



ISO 9001:2015  
 File No.438881 QM  
 ISO 14001:2015  
 File No.438881 UM

## DESIGN SPECIFICATIONS

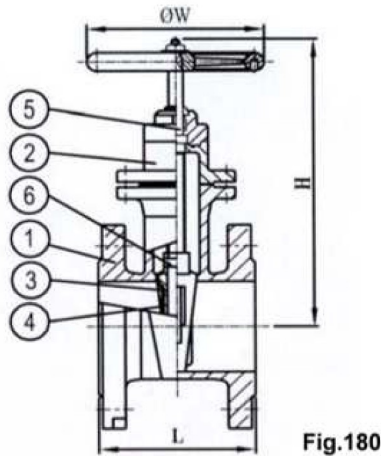


Fig.180

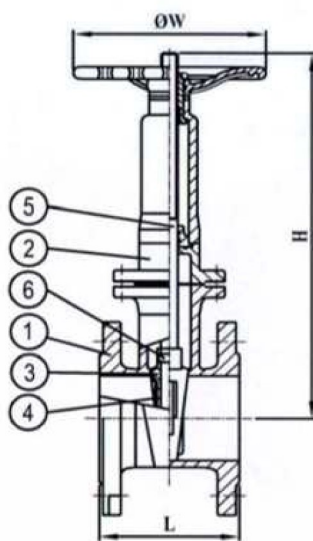


Fig.185

SIZE	L	H	ØW	WEIGHT	No OF TURN
	DN			PN.10	
50	178	225	160	11.5	17
65	190	247	160	14	21.5
80	203	274	180	19	19.5
100	229	310	200	29	24.5
125	254	365	250	44	25.5
150	267	407	250	49	30.5
200	292	507	280	87	40.5
250	330	602	300	130	40.5
300	356	680	355	178	48.5
350	381	977	450	323	29.6
400	406	1070	700	447	33.8

SIZE	L	H	ØW	WEIGHT	No OF TURN
	DN			PN.10	
50	178	230	160	12.5	13
65	190	266	160	15	16.5
80	203	311	180	20.5	20
100	229	368	200	32	25
125	254	413	250	48.7	26
150	267	507	250	56	31.5
200	292	645	280	98	41.5
250	330	792	300	147	51.5
300	356	915	355	202	49
350	381	1176	450	350	42
400	406	1359	700	490	48

NO.	PARTS NAME	MATERIAL	ASTM.DESIGNTION	BS.STANDARD	DIN.STANDARD
1	Body	Cast Iron	A 126 Class B	1452 Gr. 220,250,300	1691 GG25
2	Bonnet	Ductile Iron	A 536 Grade 65-45-12	420/12	163 GGG 50
3	Disc	(Spheroidal Graphite Iron)	A 536 Grade 80-55-6 A 395	2789 Gr. 500/7 600/3	
4	Seat	Rubber ( EPDM )	D 2000 CA 7008	2494	53 538
		Rubber ( NBR )	D 2000 CA 7008		
5	Stem	Copper Alloy	B16 B21	2872 CZ 114	17660 CuZn 40
		Stainless Steel	A276 Type 304,316L,431	970 Gr. 304S11,15,16,17,31 316S11,13,14,31,42 316L, 431S29	17440 X5CrNiMo 17122 17440 X2CrNi 18.10
				Aluminium Bronze	B 124 B 150
6	Stem Nut	Aluminium Bronze	B148 C95200	1400 AB.1	1714 CuAl10Fe
		Bronze	B 62	1400 LG.2	1705 G-CuSn5ZnPb
		Stainless Steel	A276 Type 304,316L,431	970 Gr. 304S11,15,16,17,31 316S11,13,14,31,42 316L, 431S29	17440 X5CrNiMo 17122 17440 X2CrNi 18.10