

Cast Steel Gate Valve Fig. 553

Cast steel Gate Valve are manufactured to the latest edition of API Standard 600 and tested to API Standard 590.

Application & Function:

Cast steel Gate valves are primarily used for stop valves fully opened or fully closed. They are not normally considered for throttling purposes, but more for slurries, viscous fluids, etc. Gate valves are characterized by a traveling wedge, which is moved with the operation of the stem nut. The wedge travels perpendicular to the direction of the flow. Gate valves usually have a minimum pressure drop when fully open, provide tight shut-of when fully closed, and remain relatively free of contamination buildup.

Accessories:

Accessories such as gear operators, actuators, bypasses, locking devices, chain wheels, extended stems and bonnets for cryogenic service and many others are available to meet the customers requirements.

Applicable Standards:

- Gate valve, API600
- Steel Valves, ASME B16.34
- Face to face ASME B16.10
- End Flanges ASME B16.5/ASME B16.47 (Raised Face With Spiral Serrated Finish Groove)
- Buttwelding ends ASME B16.25
- Inspection and test API 598

Pressure Rang:

- ASME CL, 150, 300, 600, 900, 1500, 2500

Temperature Range:

- -50° C - 650° C

Size Rang:

- 2" - 36"

Cast Steel Gate Valve

Materials

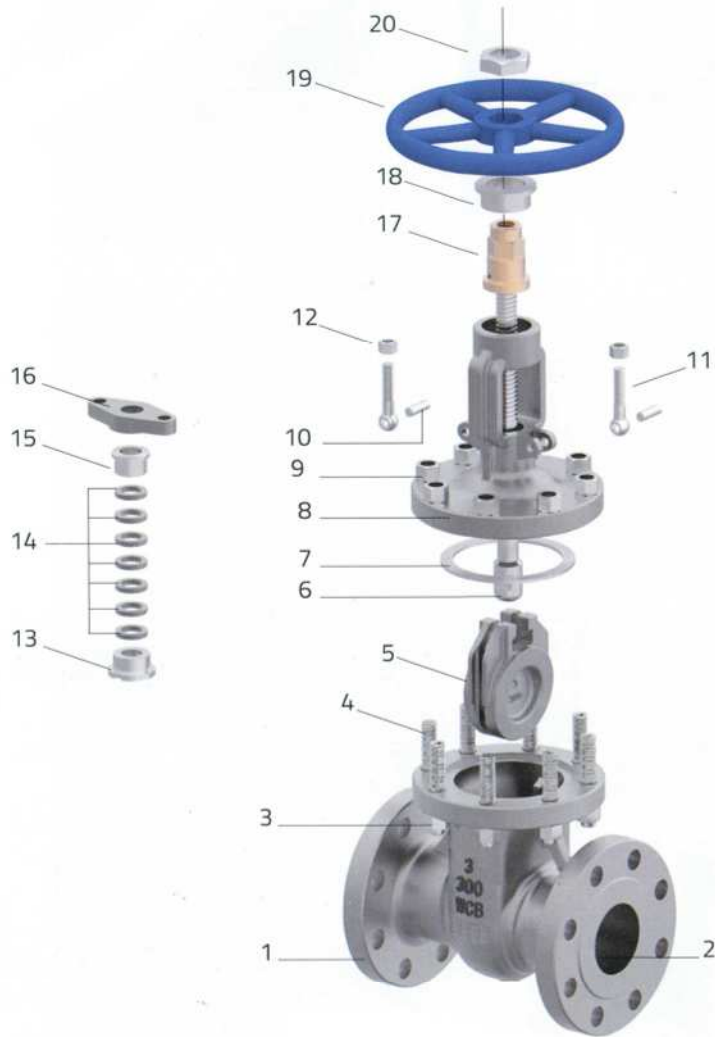


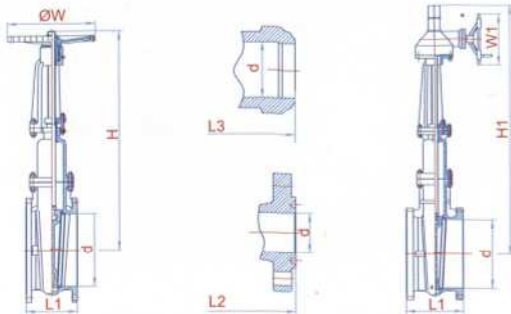
Figure: 553

Parts name	Part Name	Carbon Steel to ASTM		Alloy Steel to ASTM				Stainless Steel to ASTM				Parts name
1	Body	A216 WCB	A352 LCB	A217 WC1	A217 WC6	A217 WC9	A217 C5	A351 CF8	A351 CF8M	A351CF3	A351CF3M	1
2	Seat	A105+13Cr A182 F6a	A105+304	F11/F22+STL				304	316	304L	316L	2
3	Nuts	A194 2H	A194 4	A194 4	A194 4	A194 4	A194 4	A194 8	A194 8M	A194 8	A194 8M	3
4	Bolts	A193 B7	A320 L7	A193 B16	A193 B16	A193 B16	A193 B16	A193 B8	A193 B8M	A193 B8	A193 B8M	4
5	Disc	A216 WCB+13Cr A182 F6a	A352 LCB+304	A217 WC1+STL	A217 WC6+STL	A217 WC9+STL	A217 C5+STL	A351 CF8	A351 CF8M	A351 CF3	A351 CF3M	5
6	Stem	A182 F6a	A182 F6a	A182 F6a	A182 F6a	A182 F6a	A182 F6a	F304	F316	F304L	F316L	6
7	Gasket	SS Spiral Wound W/graphite, or SS Spiral Wound W/PTFE, or Reinforced PTFE										7
8	Bonnet	A216 WCB	A352 LCB	A217 WC1	A217 WC6	A217 WC9	A217 C5	A351 CF8	A351 CF8M	A351CF3	A351CF3M	8
9	Nuts	A194 2H	A194 4	A194 4	A194 4	A194 4	A194 4	A194 8	A194 8M	A194 8	A194 8M	9
10	Gland Eyebolt Pin	A29 1035						A276 304				10
11	Eyebolt	A193 B7	A320 L7	A193 B16	A193 B16	A193 B16	A193 B16	A193 B8	A193 B8M	A193 B8	A193 B8M	11
12	Nuts	A194 2H	A194 4	A194 4	A194 4	A194 4	A194 4	A194 8	A194 8M	A194 8	A194 8M	12
13	Backseat Bushing	A182 F6a	A182 F6a	A182 F6a	A182 F6a	A182 F6a	A182 F6a	F304	F316	F304L	F316L	13
14	Packing	Braided graphite, or Die-formed graphite ring or PTFE										14
15	Gland	A182 F6a	A182 F6a	A182 F6a	A182 F6a	A182 F6a	A182 F6a	A182 F304	A182 F316	A182 F304L	A182 F316L	15
16	Gland Flange	A216 WCB	A352 LCB	A217 WC1	A217 WC6	A217 WC9	A217 C5	A351 CF8	A351 CF8M	A351 CF3	A351 CF3M	16
17	Stem Nut	Copper alloy or A439 D2										17
18	Yoke Cap	AISI 1045	AISI 1045	AISI 1045	AISI 1045	AISI 1045	AISI 1045	A351 CF8	A351 CF8M	A351 CF3	A351 CF3M	18
19	Hand wheel	Ductile iron /Malleable Iron										19
20	H.W.Lock Nut	Carbon Steel						Stainless Steel				20

Cast Steel Gate Valve

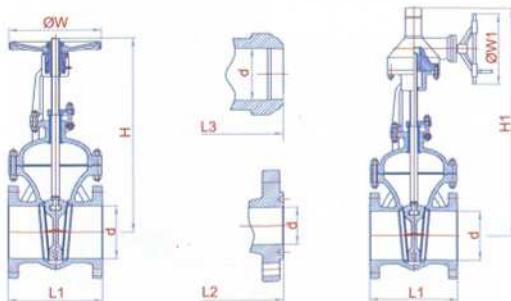
Dimension

CLASS 150



Valve Size		2"	2-1/2"	3"	4"	6"	8"	10"	12"	14"	16"	18"	20"	24"	26"	28"	30"	32"	34"	36"
		50 mm	65 mm	80 mm	100 mm	150 mm	200 mm	250 mm	300 mm	350 mm	400 mm	450 mm	500 mm	600 mm	650 mm	700 mm	750 mm	800 mm	850 mm	900 mm
Face to Face	L1:RF	178	190	203	229	267	292	330	356	381	406	432	457	508	559	610	610	711	711	711
	L2:RTJ	191	203	216	241	279	305	343	368	394	419	445	470	521	-	-	-	-	-	-
	L3:BW	216	241	282	305	403	419	457	502	572	610	660	711	813	864	914	914	965	1016	1016
Valve Bore(d)		50	63	76	100	150	200	250	300	336	387	438	488	590	633	684	735	779	830	874
Valve Height(H)		340	365	410	485	595	755	895	1040	1145	1333	1420	1635	1862	-	-	-	-	-	-
Valve Height(H1)		-	-	-	-	795	1015	1210	1405	1535	1780	1900	2220	2557	2680	2890	3110	3280	3500	3640
Handwheel Diameter(W)		200	200	250	280	300	360	400	450	500	500	600	700	800	-	-	-	-	-	-
Handwheel Diameter(W1)		-	-	-	-	310	310	310	460	460	460	460	530	530	530	530	600	600	600	600
Weight(Kg)	Handwheel	20	23	36	54	82	136	196	299	381	536	608	827	1202	-	-	-	-	-	-
	Gear	-	-	-	-	104	150	215	315	451	597	651	863	1357	1550	1880	2300	2550	2950	3390

CLASS 300



Valve Size		2"	2-1/2"	3"	4"	6"	8"	10"	12"	14"	16"	18"	20"	24"	26"	28"	30"	32"	34"	36"
		50mm	65mm	80mm	100mm	150mm	200mm	250mm	300mm	350mm	400mm	450mm	500mm	600mm	650mm	700mm	750mm	800mm	850mm	900mm
Face to Face	L1:RF	216	241	283	305	403	419	457	502	762	838	914	991	1143	1245	1346	1397	1524	1626	1727
	L2:RTJ	232	257	298	321	419	435	473	518	778	854	930	1010	1165	1270	1372	1422	1553	1654	1756
	L3:BW	216	241	283	305	403	419	457	502	762	838	914	991	1143	1245	1346	1397	1524	1626	1727
Valve Bore (d)		50	63	76	100	150	200	250	300	336	387	431	482	584	633	684	735	779	830	874
Valve Height(H)		364	385	460	540	649	798	940	1129	1195	1340	1503	1625	1965	-	-	-	-	-	-
Valve Height(H1)		-	-	-	650	835	1030	1255	1460	1585	1830	2000	2175	2620	2850	3080	3180	3300	3550	3760
Handwheel Diameter(W)		200	200	250	280	350	400	450	500	600	500	650	750	900	-	-	-	-	-	-
Handwheel Diameter(W1)		-	-	-	310	310	310	460	460	460	460	460	530	530	600	600	600	600	600	600
Weight(Kg)	Handwheel	26	36	55	67	147	228	332	512	715	850	1100	1300	2200	-	-	-	-	-	-
	Gear	-	-	-	100	186	235	416	502	756	965	1224	1400	2385	3000	3300	3550	4400	5200	6050

Figure: 553



SCI CORPORATION Co.,Ltd.

Factory: 1/12 Moo 2, Samutsakorn Industrial Estate, Soi 7,
Rama 2 Road, Tahsai, Muang, Samutsakorn 74000, Thailand
Tel: (6634)440-130 Fax: (6634)440-137 E-mail: sci@scivalve.com



ISO 9001:2015
File No.438881 QM
ISO 14001:2015
File No.438881 UM