

SWING CHECK VALVE

Valves are manufactured and tested in accordance with BS EN 12334(BS 5153) PN 10/16/25, TIS.383 PN 6/10/16, MSS-SP-71 class 125/250, MSS-SP-136 class 150/300 and also meet the requirements of AWWA C508, generally recommended to prevent backflow with minimum resistance to flow, because of full water way design. Suitable for all types of water, air and steam.

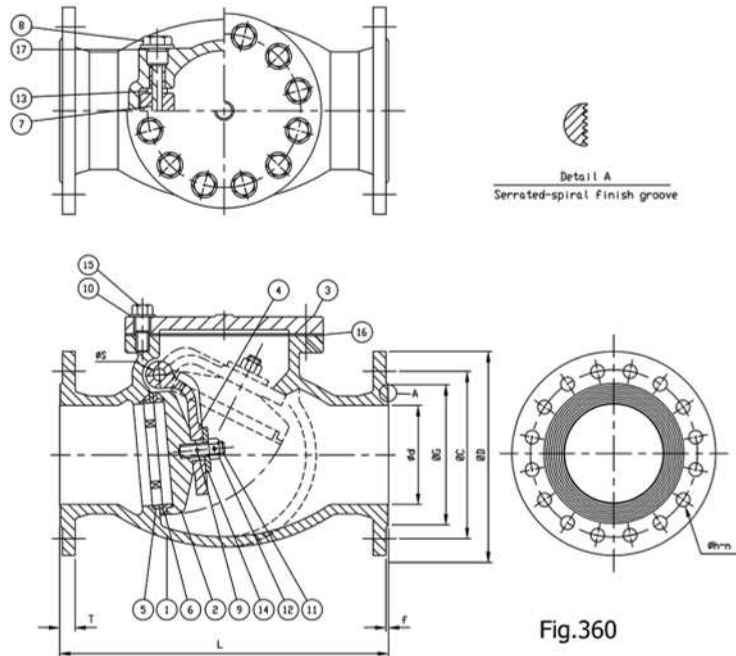


Fig.360

FEATURES

- Sizes are available from DN 40 to DN 2000, Both metal seated and resilient seated can be provided.
- Flanged ends from sizes DN 40 to DN 2000 (Spiral groove can be provided.)and screwed ends from sizes DN 40 to DN 200.
- Flanged drilling to suit ANSI B 16.1 class 125/250, ANSI B 16.5 class 150/300, ANSI B 16.42 class 150/300, BS EN 1092-2, ISO 7005-2, AS 2129, DIN, JIS and etc.
- Special accessories like by - pass unit, lever and weight, lever and spring, proximity switch, air cushioned, hydraulic cylinder, protection guard are also available.
- Coating fusion bond epoxy.
- Face to Face Length ANSI B16.1
- Pressure Temperature Rating ANSI B16.34 class 150/300

MATERIALS



NO.	PARTS NAME	MATERIAL	ASTM.STANDARD
1	Body	Ductile Iron	A 536 Gr. 65-45-12
2	Disc	Stainless Steel	A 276 Type 410
3	Cover	Ductile Iron	A 536 Gr. 65-45-12
4	Arm	Ductile Iron	A 536 Gr. 65-45-12
5	Body Seat Ring	Stainless Steel	A 276 Type 410
6	Hinge Pin	Stainless Steel	A 276 Type 420
7	Plug	Brass	B 21
8	Pin	Stainless Steel	A 276 Type 420
9	Washer A	Galvanized Steel	A 36
10	Disc Stud	Brass	B 21
11	Disc Nut	Brass	B 21
12	Spacer	Brass	B 21
13	Washer B	Brass	B 21
14	Cover Bolt	Galvanized Steel	A 307 Grade B
15	Cover Gasket	Rubber NBR	D 2000 BK 707
16	O-Ring	Rubber NBR	D 2000 BK 707

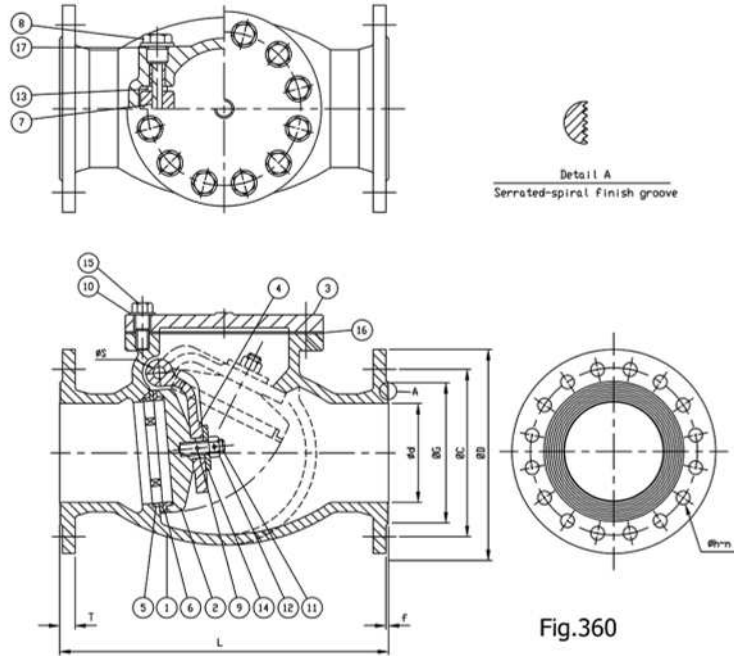


SCI CORPORATION Co.,Ltd.
Factory: 1/12 Moo 2, Samutsakorn Industrial Estate, Soi 7,
Rama 2 Road, Tahsai, Muang, Samutsakorn 74000, Thailand
Tel: (6634)440-130 Fax. (6634)440-137 E-mail: sci@scivalve.com



ISO 9001:2015
File No.438881 QM
ISO 14001:2015
File No.438881 UM

DIMENSIONS



SIZE	L	FLANGED ANSI B16.5 CLASS 150 (INCH)							ØM
		ØD	ØC	ØG	Øh	n	T	f	
40	190	5	3 7/8	2 7/8	5/8	4	11/16	1/16	5/8
50	203	6	4 3/4	3 5/8	3/4	4	3/4	1/16	5/8
65	216	7	5 1/2	4 1/8	3/4	4	7/8	1/16	5/8
80	241	7 1/2	6	5	3/4	4	15/16	1/16	5/8
100	292	9	7 1/2	6 3/16	3/4	8	15/16	1/16	5/8
150	356	11	9 1/2	8 1/2	7/8	8	1	1/16	3/4
200	495	13 1/2	11 3/4	10 5/8	7/8	8	1 1/8	1/16	3/4
250	622	16	14 1/4	12 3/4	1	12	1 3/16	1/16	7/8
300	698	19	17	15	1	12	1 1/4	1/16	7/8
350	787	21	18 3/4	16 1/4	1 1/8	12	1 3/8	1/16	1
400	914	23 1/2	21 1/4	18 1/2	1 1/8	16	1 7/16	1/16	1
500	978	27 1/2	25	23	1 1/4	20	1 11/16	1/16	1 1/8
600	1219	32	29 1/2	27 1/4	1 3/8	20	1 7/8	1/16	1 1/4

SIZE	L	FLANGED ANSI B16.5 CLASS 300 (INCH)							ØM
		ØD	ØC	ØG	Øh	n	T	f	
40	190	6 1/8	4 1/2	2 7/8	7/8	4	13/16	1/16	3/4
50	203	6 1/2	5	3 5/8	3/4	8	14/16	1/16	5/8
65	216	7 1/2	5 7/8	4 1/8	7/8	8	1	1/16	3/4
80	241	8 1/4	6 5/8	5	7/8	8	1 2/16	1/16	3/4
100	292	10	7 7/8	6 3/16	7/8	8	1 4/16	1/16	3/4
150	356	12 1/2	10 5/8	8 1/2	7/8	12	1 7/16	1/16	3/4
200	495	15	13	10 5/8	1	12	1 10/16	1/16	7/8
250	622	17 1/2	15 1/4	12 3/4	1 1/8	16	1 14/16	1/16	1
300	698	20 1/2	17 3/4	15	1 1/4	16	2	1/16	1 1/8
350	787	23	20 1/4	16 1/4	1 1/4	20	2 2/16	1/16	1 1/8
400	914	25 1/2	22 1/2	18 1/2	1 3/8	20	2 4/16	1/16	1 1/4
500	978	30 1/2	27	23	1 3/8	24	2 8/16	1/16	1 1/4
600	1219	36	32	27 1/4	1 3/8	24	2 12/16	1/16	1 2/4



SCI CORPORATION Co.,Ltd.
 Factory: 1/12 Moo 2, Samutsakorn Industrial Estate, Soi 7,
 Rama 2 Road, Tahsai, Muang, Samutsakorn 74000, Thailand
 Tel: (6634)440-130 Fax: (6634)440-137 E-mail: sci@scivalve.com



ISO 9001:2015
 File No.438881 QM
 ISO 14001:2015
 File No.438881 UM