

## TILTING DISC CHECK VALVE

Valves are manufactured and tested in accordance with EN 12334 PN10/16/25, TIS 383 PN6/10/16, MSS-SP 71 class125/250 and also meet the requirements of AWWA C508. The tilting disc and 2 pieces bodies designed check valve accomplishes full flow opening by having the disc pivot or tilt in the flow media. The opening stroke range is much less than that of the conventional swing check valves, therefore reduces opening and closing time critical to controlling flow reversal and reducing water hammer. The full flow area with lower headloss ensure valve will operate with the highest efficiency and durability.



## FEATURES

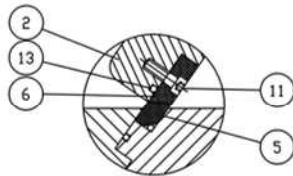
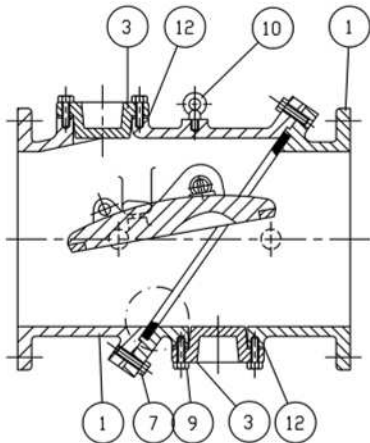
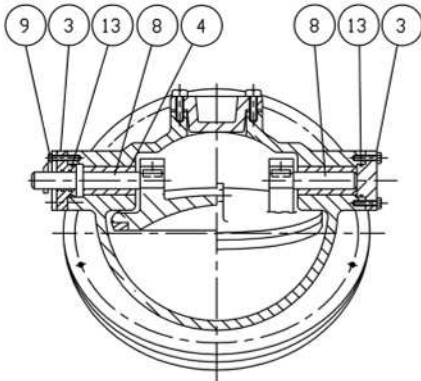
- Flange drilling to suit ANSI B16.1, EN 1092, BS 10, ANSI B16.5, AS 2129 and JIS.
- Optional accessories : Signal switch, By-pass, Hydraulic cylinder (top/bottom/side mounted)
- Coating meet AWWA C210-84 standard for epoxy and Other coating standards are available.
- Suitable for all type of water, air and steam 121 °C or 250 °F (For higher temperature, consult factory).

## DESIGN SPECIFICATIONS

- Size: 100 mm to 1800 mm
- Working Pressure: 10, 16, 25 Bar
- Shell test: 1.5xPN
- Seat test: 1.1xPN
- All international flange connections and coating are available

# TILTED DISC CHECK VALVE

## Materials



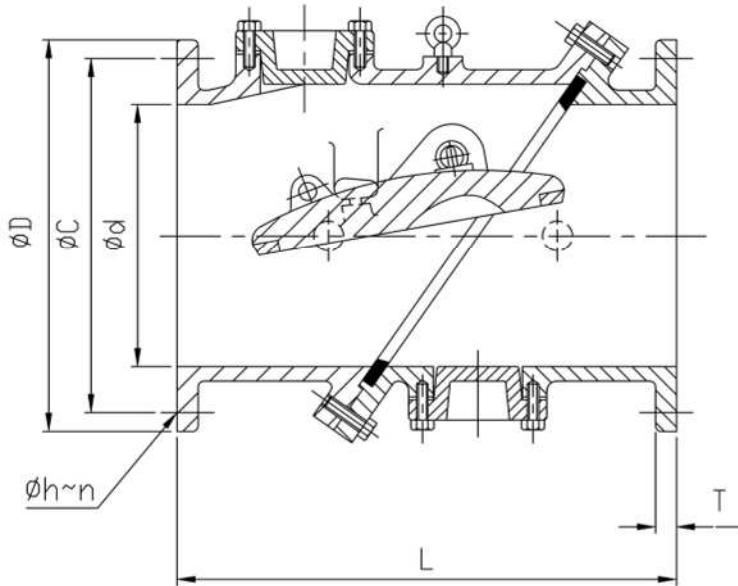
DETAIL A

Figure:259

NO.	PARTS	MATERIALS	BS. SPEC.	ASTM. SPEC.	TIS. SPEC.
1	Body	Cast Iron	EN 1561-EN-GJS-250	A 126 Class B	TIS. 536
		Ductile Iron	EN 1563-EN-GJS-500-7	A 536 Grade 65-45-12	TIS. 537(SGI 500)
2	Disc	Cast Iron	EN 1561-EN-GJS-250	A 126 Class B	TIS. 536
		Ductile Iron	EN 1563-EN-GJS-500-7	A 536 Grade 65-45-12	TIS. 537(SGI 500)
3	End Plate	Cast Iron	EN 1561-EN-GJS-250	A 126 Class B	TIS. 536
		Ductile Iron	EN 1563-EN-GJS-500-7	A 536 Grade 65-45-12	TIS. 537(SGI 500)
4	Sleeve	Bronze/Gunmetal	EN1982-CC491K	B 62	-
5	Body Seat Ring	Bronze/Gunmetal	EN1982-CC491K	B 62	-
		Stainless Steel	Gr 1.4301,4401	A 276 Type 304,316	-
6	Disc Seat Ring	Bronze/Gunmetal	EN1982-CC491K	B 62	-
		Stainless Steel	Gr 1.4301,4401	A 276 Type 304,316	-
7	Body Bolt	Galvanized Steel	4190	A 307 Grade B	TIS. 171
8	Hinge Pin	Stainless Steel	Gr 1.4301,4401,4057,4021	A 276 Type 304,316,431,420	-
9	End Plate Bolt	Galvanized Steel	4190	A 307 Grade B	TIS. 171
10	Eye Bolt	Galvanized Steel	4190	A 307 Grade B	TIS. 171
11	Socket Head Bolt	Stainless Steel	Gr 1.4301,4401	A 276 Type 304,316	TIS. 171
12	Gasket	Non Asbestos Sheet	-	-	-
13	O-Ring	Rubber (NBR)	EN 681-1	D 2000 BK 707	-
		Rubber (EPDM)	EN 681-1	D 2000 CA 707	-

# TILTED DISC CHECK VALVE

## Dimensions



### ANSI B16.5 CLASS 150,300

SIZE		L	FLANGED ANSI B16.5 CLASS 150 (INCH)							FLANGED ANSI B16.5 CLASS 300 (INCH)						
mm	inch		ØD	ØC	ØG	Øh	n	T	f	ØD	ØC	ØG	Øh	n	T	f
100	4	292	9	7.5	6.19	0.75	8	0.94	1/16	10	7.88	6.19	0.88	8	1.25	1/16
150	6	381	11	9.5	9.5	0.88	8	1	1/16	12.50	10.62	9.5	0.88	12	1.44	1/16
200	8	495	13.5	11.75	10.62	0.88	8	1.12	1/16	15	13	10.62	1	12	1.62	1/16
250	10	622	16	14.25	12.75	1	12	1.19	1/16	17.5	15.25	12.75	1.12	16	1.88	1/16
300	12	398	19	17	15	1	12	1.25	1/16	20.50	17.75	15	1.25	16	2	1/16
400	16	762	23.5	21.25	18.50	1.12	16	1.44	1/16	25.50	22.50	18.50	1.38	20	2.25	1/16
500	20	813	27.5	25	23	1.25	20	1.69	1/16	30.50	27	23	1.38	24	2.5	1/16
600	24	965	32	29.5	27.25	1.38	20	1.88	1/16	36	32	27.25	1.62	24	2.75	1/16
700	28	1100	36.5	34	31.25	1.38	28	2.06	1/16							
750	30	450	38.75	36	33.75	1.38	28	2.12	1/16							
800	32	1350	41.75	38.5	35.75	1.62	28	2.25	1/16							
900	36	1500	46	42.75	40.25	1.62	32	2.38	1/16							
1000	42	1588	53	49.5	47	1.62	36	2.62	1/16							

other size or pressure. please contact manufacturer.



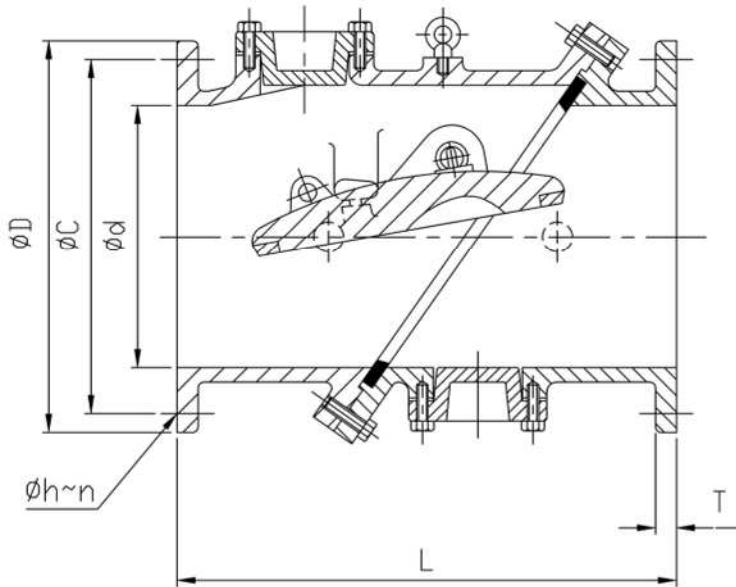
**SCI CORPORATION Co.,Ltd.**  
Factory: 1/12 Moo 2, Samutsakorn Industrial Estate, Soi 7,  
Rama 2 Road, Tahsai, Muang, Samutsakorn 74000, Thailand  
Tel: (6634)440-130 Fax. (6634)440-137 E-mail: sci@scivalve.com



ISO 9001:2015  
File No.438881 QM  
ISO 14001:2015  
File No.438881 UM

# TILTED DISC CHECK VALVE

## Dimensions



### BS EN1092-2 PN10,16

SIZE	L	FLANGED BS. EN1092-2 PN10 cast iron							FLANGED BS EN 1092-2 PN 16 cast iron						
		ØD	ØC	ØG	Øh	n	T	f	ØD	ØC	ØG	Øh	n	T	f
100	292	220	180	156	19	8	24	3	220	180	156	19	8	24	3
150	381	285	240	211	23	8	26	3	285	240	211	23	8	26	3
200	495	340	295	266	23	8	26	3	340	295	266	23	12	30	3
250	622	395	350	319	23	12	28	3	405	355	319	28	12	32	3
300	698	445	400	370	23	12	28	4	460	410	370	28	12	32	4
450	762	615	565	530	28	20	32	4	640	585	548	31	20	40	4
500	813	670	620	582	28	20	34	4	715	650	609	34	20	42	4
600	965	780	725	682	31	20	36	5	840	770	720	37	20	48	5
700	1100	895	840	794	31	24	40	5	910	840	794	37	24	54	5
800	1350	1015	950	901	34	24	44	5	1025	950	901	41	24	58	5
900	1500	1115	1050	1001	34	28	46	5	1125	1050	1001	41	28	62	5
1000	1588	1230	1160	1112	37	28	50	5	1255	1170	1112	44	28	66	5
1200	1651	1455	1380	1328	41	32	56	5							
1400	2083	1675	1590	1530	44	36	62	5							
1500	2210	1785	1700	1640	44	36	65	5							
1600	2210	1915	1820	1750	50	40	68	5							
1800	2540	2115	2020	1950	50	44	70	5							

other size or pressure. please contact manufacturer.



**SCI CORPORATION Co.,Ltd.**

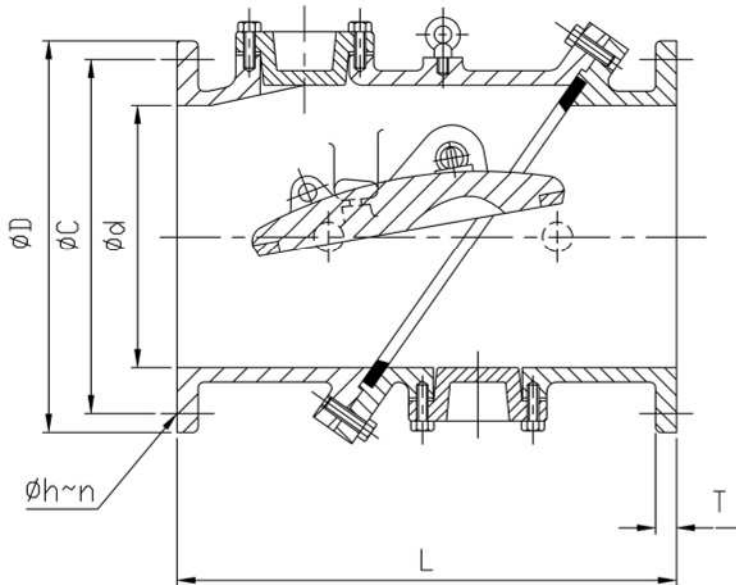
Factory: 1/12 Moo 2, Samutsakorn Industrial Estate, Soi 7,  
Rama 2 Road, Tahsai, Muang, Samutsakorn 74000, Thailand  
Tel: (6634)440-130 Fax. (6634)440-137 E-mail: sci@scivalve.com



ISO 9001:2015  
File No.438881 QM  
ISO 14001:2015  
File No.438881 UM

# TILTED DISC CHECK VALVE

## Dimension



## BS EN1092-2 PN10,16

SIZE	L	FLANGED BS. EN1092-2 PN10 ductile iron							FLANGED BS EN 1092-2 PN 16 ductile iron						
		$\varnothing D$	$\varnothing C$	$\varnothing G$	$\varnothing h$	n	T	f	$\varnothing D$	$\varnothing C$	$\varnothing G$	$\varnothing h$	n	T	f
100	292	220	180	156	19	8	19	3	220	180	156	19	8	19	3
150	381	285	240	211	23	8	19	3	285	240	211	23	8	19	3
200	495	340	295	266	23	8	20	3	340	295	266	23	12	20	3
250	622	395	350	319	23	12	22	3	405	355	319	28	12	22	3
300	698	445	400	370	23	12	24.5	4	460	410	370	28	12	24.5	4
400	762	565	515	480	28	16	24.5	4	580	525	480	31	16	28	4
500	813	670	620	582	28	20	26.5	4	715	650	609	34	20	31.5	4
600	965	780	725	682	31	20	30	5	840	770	720	37	20	36	5
700	1100	895	840	794	31	24	33	5	910	840	794	37	24	39.5	5
800	1350	1015	950	901	34	24	35	5	1025	950	901	41	24	43	5
900	1500	1500	1115	1050	1001	34	37.5	5	1125	1050	1001	41	28	46.5	5
1000	1588	1230	1160	1112	37	28	40	5	1255	1170	1112	44	28	50	5
1200	1651	1455	1380	1328	41	32	45	5	1485	1390	1328	50	32	57	5
1400	2083	1675	1590	1530	44	36	46	5	1685	1590	1530	50	36	60	5
1500	2210	1785	1700	1640	44	36	47.5	5	1820	1710	1640	57	36	62.5	5
1600	2210	1915	1820	1750	50	40	49	5	1930	1820	1750	57	40	65	5
1800	2540	2115	2020	1950	50	44	52	5	2130	2020	1950	57	44	70	5

other size or pressure. please contact manufacturer.



**SCI CORPORATION Co.,Ltd.**

Factory: 1/12 Moo 2, Samutsakorn Industrial Estate, Soi 7,  
Rama 2 Road, Tahsai, Muang, Samutsakorn 74000, Thailand  
Tel: (6634)440-130 Fax. (6634)440-137 E-mail: sci@scivalve.com



ISO 9001:2015  
File No.438881 QM  
ISO 14001:2015  
File No.438881 UM